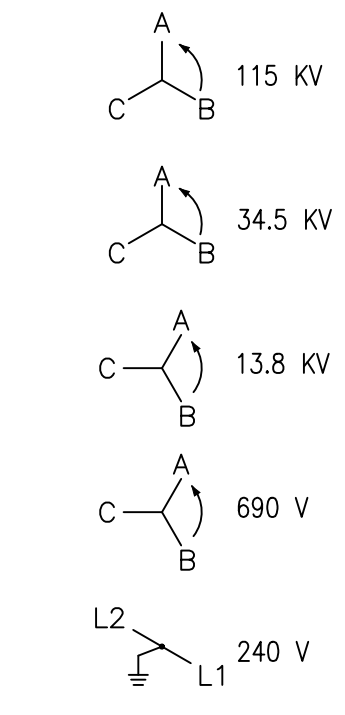


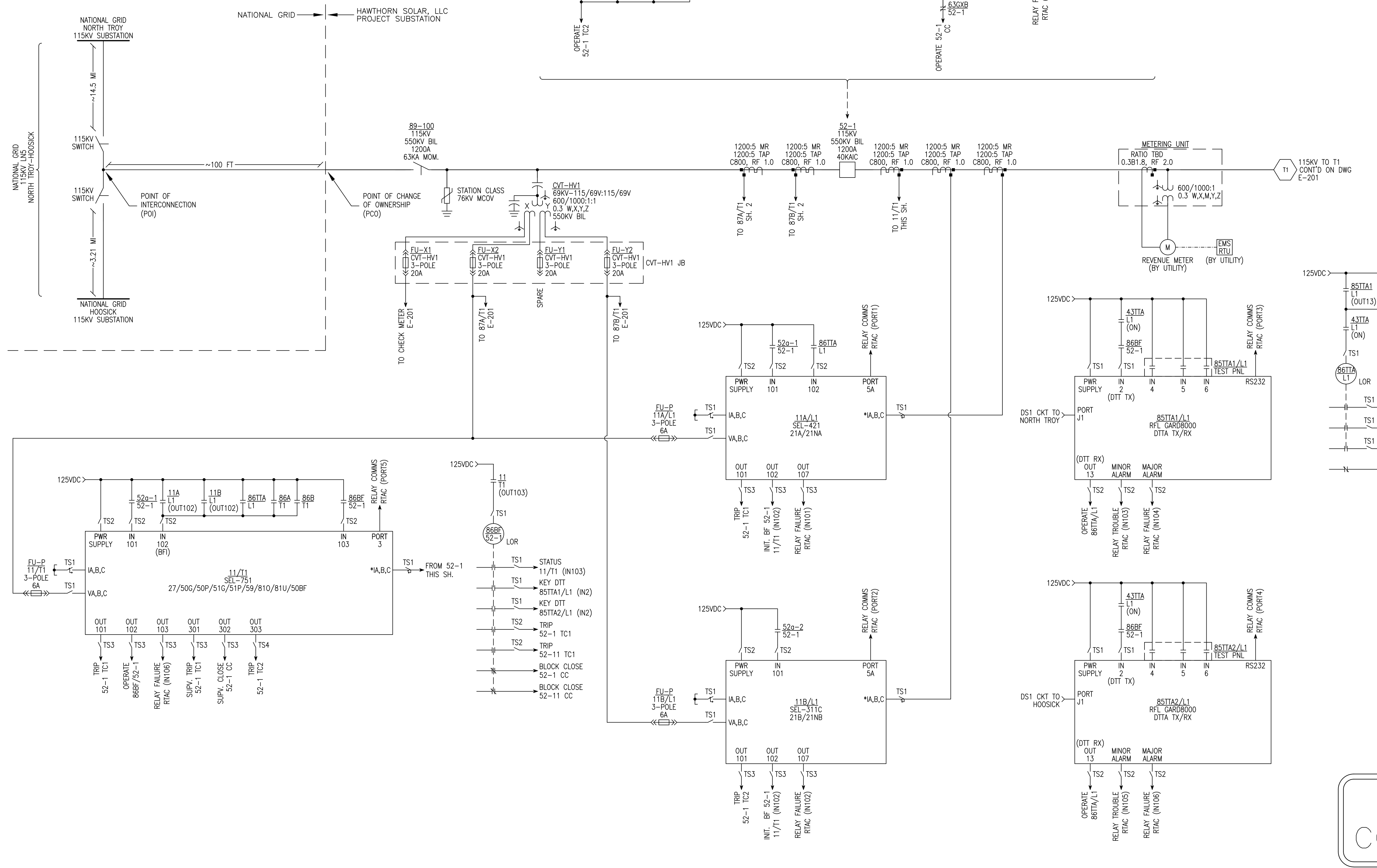
LEGEND:		52-1 TC1	52-1 TC2	52-1 BFI (11/T1)	TIA TX (85TIA1/L1)	TIA TX (85TIA2/L1)	86BF/52-1	86TA/L1	86B/T1	52-11 TC1	52-11 TC2	52-11 BFI (11/F11)
DEVICE	FUNCTION											
11A/L1	21A/21NA	T	F									
11B/L1	21B/21NB		T	F								
85TIA1/L1	TIA RX FROM NORTH TROY								X			
85TIA2/L1	TIA RX FROM HOOSICK								X			
86TA/L1	86	TL	F									
11/T1	27/50G/50P/51G/51P/59/810/81U	T	T									
86BF/52-1	50BF	TL		X	X					TL		
87A/T1	50HA/51HA/51HNA/87A								X			
86A/T1	86	TL	F							TL	F	
87B/T1	50HB/51HB/51XNB/87B								X			
86B/T1	86	TL	F							TL	F	
T1 PROTECTION	26Q/49T/63SP/71Q (VIA 87A/T1)								X			
11/F11	50/51									T	T	F
	50BF								X			

PHASOR RELATIONSHIP



CS Energy
Building a Cleaner Future

2045 LINCOLN HWY
EDISON, NJ 08817



NOT FOR
CONSTRUCTION

A	ISSUED FOR FACILITY STUDY	2/8/21	JAC	SR
REV	DESCRIPTION	DATE	DRAWN	CHECK

DESIGNERS SEAL AND SIGN

REYNOLDS ARCHITECTURE ENGINEERING
40 TAMARACK LANE
MISKATUNIA, NY 12099
(518) 225-9473

SYSTEM DESIGNER

SYSTEM OWNER

PROJECT NAME AND ADDRESS

CS ENERGY, LLC
HAWTHORN SOLAR
20 MWAC

FORDS RD
HOOSICK FALLS, NY 12090

SHEET TITLE

RELAY ONE LINE DIAGRAM
115KV LINE & BREAKER
PROTECTION

ENGINEER:	DRAWN BY:
S. REYNOLDS	J. CRISPINO
PROJECT NO.	SHEET NO.
CSE-HAWT	E-200
CREATION DATE	
2/8/2021	
SCALE	
NONE	